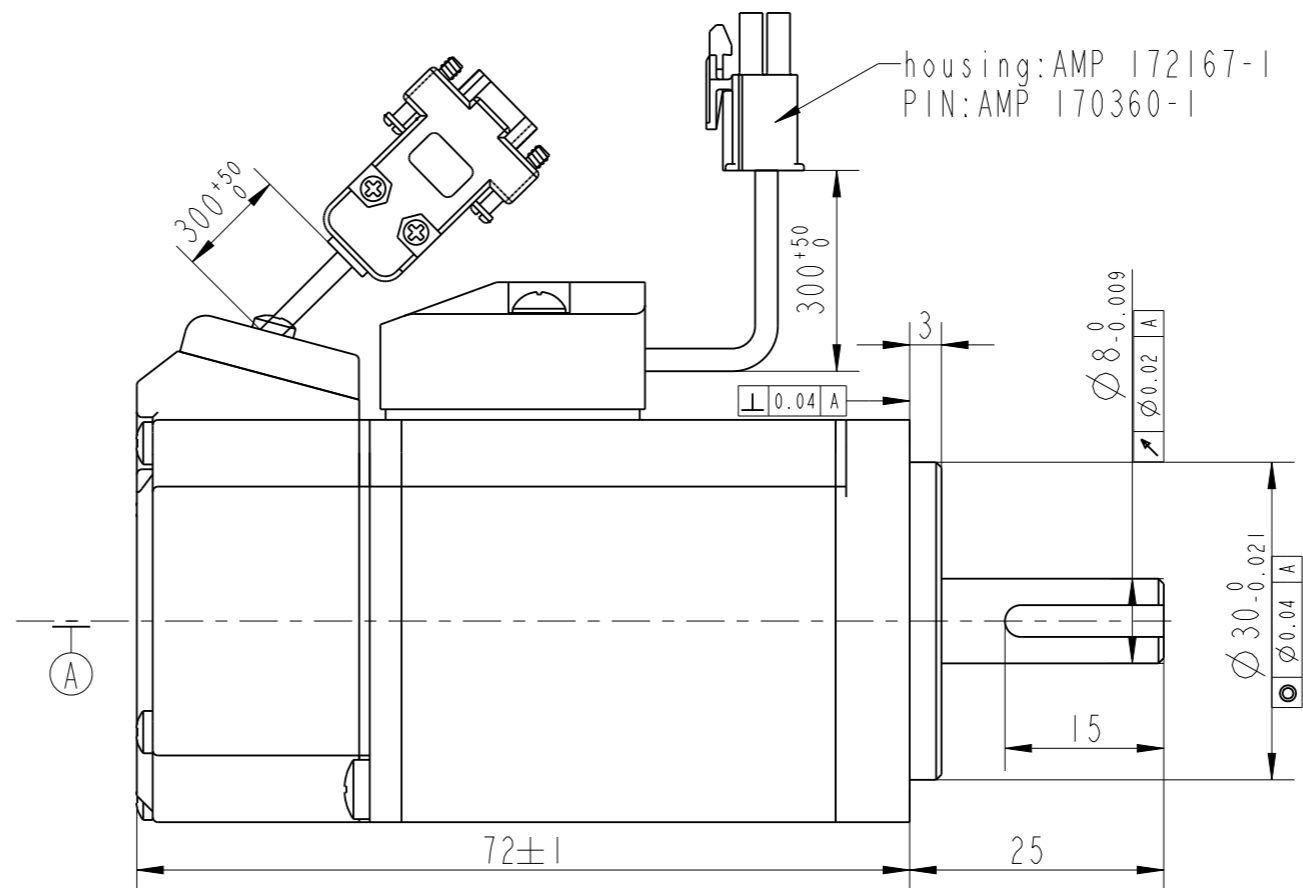
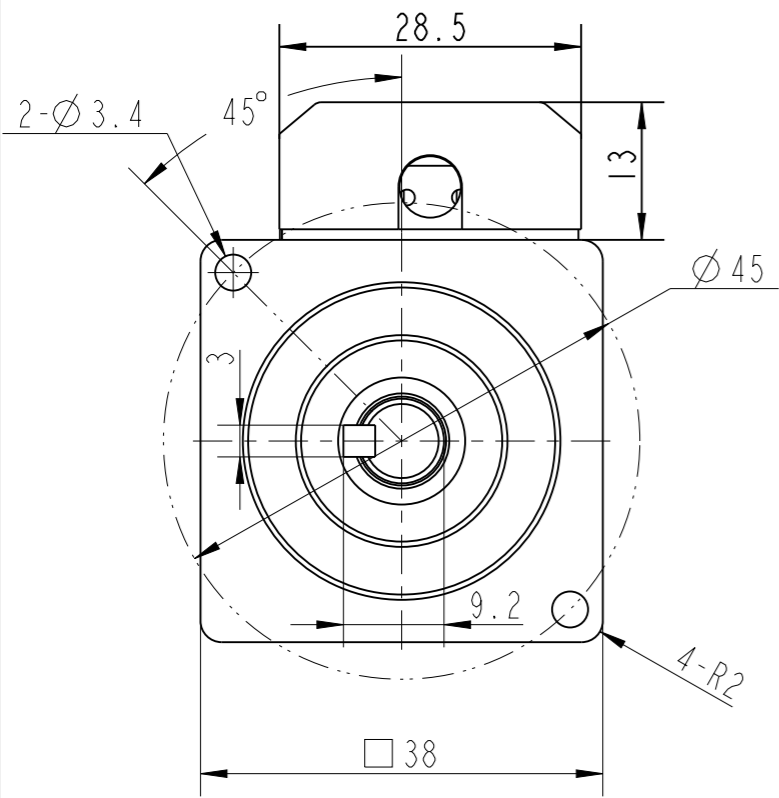
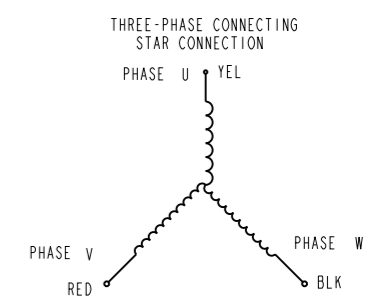


REV	ECN	NO	DESCRIPTION	DRN	APP'D	DATE

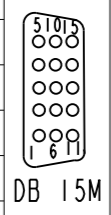


housing: AMP 172167-1
PIN: AMP 170360-1

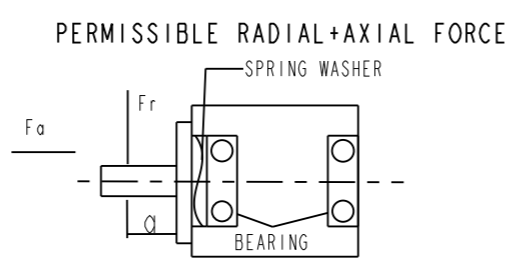


编码器出线定义

颜色	pin序	信号定义	颜色	pin序	信号定义
红	pin1	+5V	白	pin9	W+
黑	pin2	GND	灰	pin10	V+
	pin3		黄黑	pin11	Z-
棕	pin4	U+	蓝黑	pin12	B-
棕黑	pin5	U-	绿黑	pin13	A-
黄	pin6	Z+	白黑	pin14	W-
蓝	pin7	B+	灰黑	pin15	V-
绿	pin8	A+	外壳	SHIELD	



NUMBER OF PHASE	绕组相数	3	Wires for Phases AWG20		
NUMBER OF POLES	极数	10	PHASE U	PHASE V	PHASE W
LINE TO LINE RESISTANCE	线电阻	33±10% ohms@20°C	YEL	RED	BLK
LINE TO LINE INDUCTANCE	线电感	24±20% mH@1kHz	Feedback Info		
NOMINAL VOLTAGE	额定电压	220 VAC	Feedback device: 2500ppr incremental optical encoder		
NO LOAD SPEED	空载转速	10000 ±10% RPM			
NO LOAD CURRENT	空载电流	0.05 A(ref)			
RATED TORQUE	额定转矩	160 mN.m			
RATED SPEED	额定转速	3000 RPM			
RATED CURRENT	额定电流	0.5 A			
PEAK TORQUE	峰值转矩	480 mN.m			
PEAK CURRENT	峰值电流	1.5 A			
BACK EMF CONSTANT	反电势常数	21 Vrms/kRPM			
TORQUE CONSTANT	转矩常数	350 mN.m/A			
INSULATION CLASS	绝缘等级	F 155°C	AXIAL-FORCE	轴向压力	Fa=59 N Max
DIELECTRIC STRENG	介电强度	1800VAC 1SEC	DISTANCE	距离	a=12.5 mm
INSULATION RESIST	绝缘电阻	100MΩhm @500VDC	RADIAL-FORCE	径向压力	Fr=69 N Max
ROTOR INERTIA	转子转动惯量	0.024X10 ⁻⁴ Kg.m ²	SHAFT RADIAL PLAY	径向间隙	0.02mm Max.@4N
WEIGHT	重量	0.4 Kg	SHAFT AXIAL PLAY	轴向间隙	0.08mm Max.@4N
OPERATION AMBIENT	使用环境	Ambient temperature: -20...+50°C, humidity Max.85%(No condensation)			
STORAGE AMBIENT	存储环境	Ambient temperature: -20...+85°C, humidity Max.85%(No condensation)			



电源出线定义

PIN位置	接口定义	引出线颜色
PIN1	U	YEL
PIN2	V	RED
PIN3	W	BLK
PIN4	GND	YEL/GRN

REV	ECN	NO	DESCRIPTION	DESIGN	DATE	P/N.	TITLE	SPECIFICATIONS
UNLESS OTHERWISE SPECIFIED			MATERIAL	CONTR.	CHECK	USED ON		
TOLERANCES:						FL38SV05-220V-30EA1		
DECIMALS:						DWG NO.		
.X ±0.5						REV		
.XX ±0.25						A		
.XXX ±0.1								
UNIT: mm			FIRST ANGLE PROJECTION			SCALE 1:1		
DO NOT SCALE DRAWING						SHEET 1 OF 1		
						FULLING MOTOR		