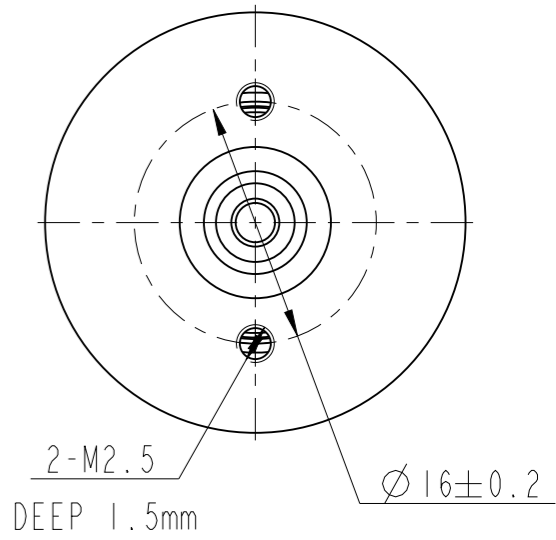
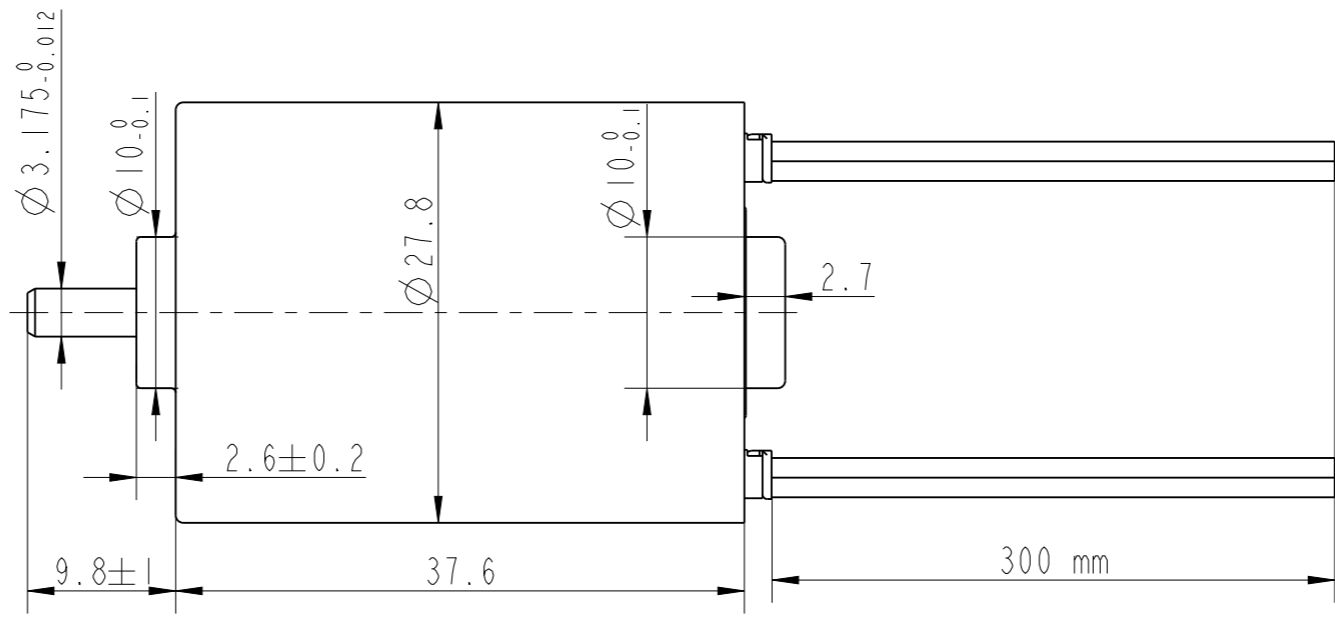
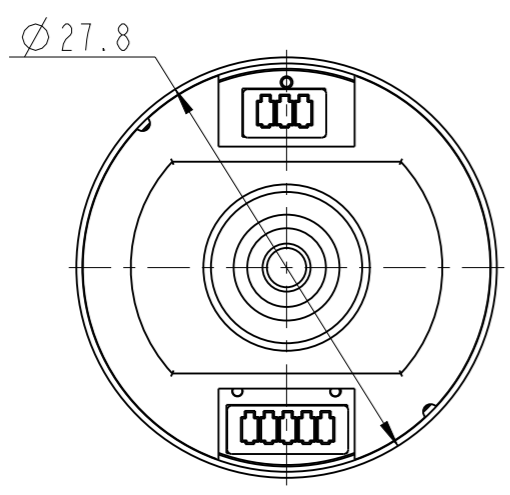
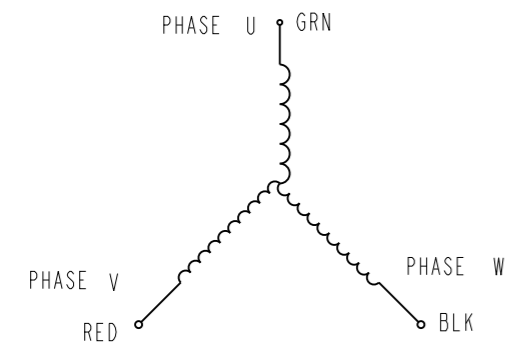


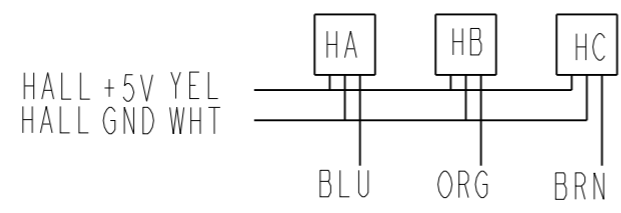
REV	ECN	NO	DESCRIPTION	DRN	APP'D	DATE



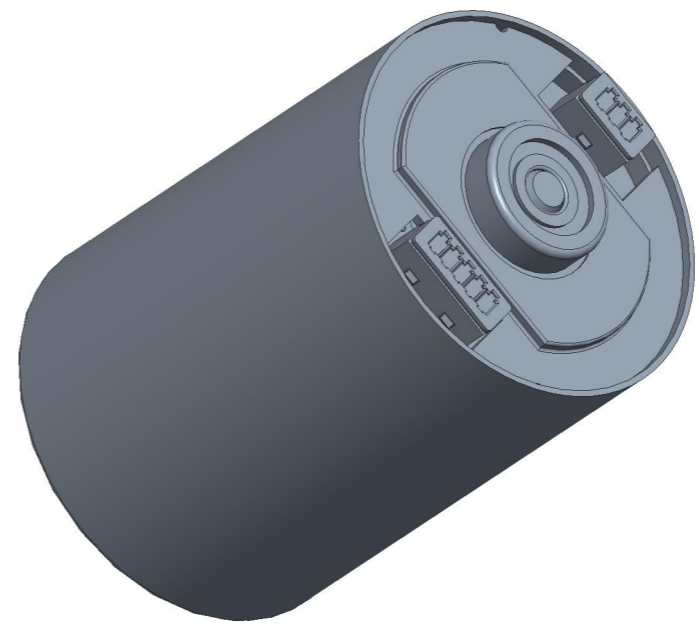
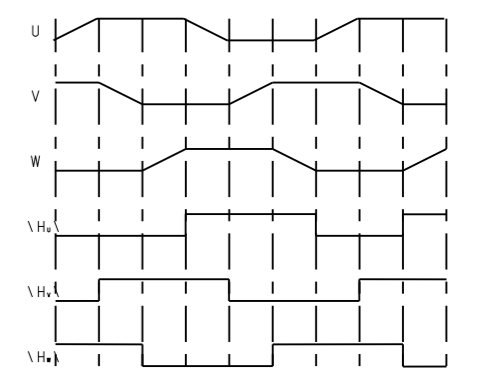
THREE-PHASE CONNECTING
STAR CONNECTION



HALL CONNECTING



CW: VIEWED FROM OUTPUT SHAFT
CW: 从出轴方向看



NUMBER OF PHASE	绕组相数	3	Wires for Phases UL1061 AWG26		
NUMBER OF POLES	极数	8	PHASE U	PHASE V	PHASE W
LINE TO LINE RESISTANCE	线电阻	5.69±10% ohms@20°C	GRN	RED	BLK
LINE TO LINE INDUCTANCE	线电感	2.48±20% mH@1kHz	Wires for Hall UL1061 AWG28		
NOMINAL VOLTAGE	额定电压	24 VDC	HALL Vc	Hu	Hv
NO LOAD SPEED	空载转速	5400±10% RPM	YEL	BLU	ORG
NO LOAD CURRENT	空载电流	0.3 A	Hw	BRN	HALL Gnd
RATED TORQUE	额定转矩	28 mN.m		WHT	
RATED SPEED	额定转速	4000 RPM	<p>PERMISSIBLE RADIAL+AXIAL FORCE</p>		
RATED CURRENT	额定电流	0.75 A			
PEAK TORQUE	峰值扭矩	84 mN.m			
PEAK CURRENT	峰值电流	2.3 A			
BACK EMF CONSTANT	反电势常数	3.165±10% Vrms/kRPM			
TORQUE CONSTANT	转矩常数	42.7±10% mN.m/A			
INSULATION CLASS	绝缘等级	B 130°C			
DIELECTRIC STRENG	介电强度	650VAC ISEC			
INSULATION RESIST	绝缘电阻	100MOhm @500VDC			
ROTOR INERTIA	转子转动惯量	6g.cm²			
WEIGHT	重量	0.1Kg	AXIAL-FORCE	轴向压力	Fa= 4 N Max
OPERATION AMBIENT	使用环境	Ambient temperature:-20...+50°C, humidity Max.85%(No condensation)	DISTANCE	距离	a=10 mm
STORAGE AMBIENT	存储环境	Ambient temperature:-10...+85°C, humidity Max.85%(No condensation)	RADIAL-FORCE	径向压力	Fr=4 N Max
			SHAFT RADIAL PLAY	径向间隙	0.02mm Max.@4N
			SHAFT AXIAL PLAY	轴向间隙	0.14mm Max.@4N

B		DESIGN	DATE	P/N.	3.1.02.028.0299
REV	ECN NO.	DESCRIPTION		TITLE	specifications
UNLESS OTHERWISE SPECIFIED		MATERIAL	CONTR.	CHECK	USED ON
TOLERANCES:					FL28CBLA38-24V-4012A
DECIMALS:		ANGULAR:		APPD	DWG NO.
.X ±0.5		±0°30'			REV
.XX ±0.25					B
.XXX ±0.1					
UNIT: mm		FIRST ANGLE PROJECTION		SCALE	2:1
DO NOT SCALE DRAWING				SHEET	1 OF 1
					FULLING MOTOR