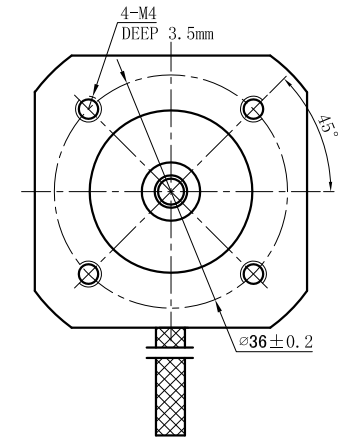
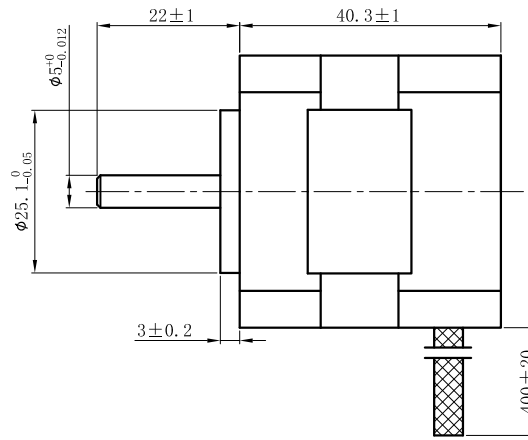
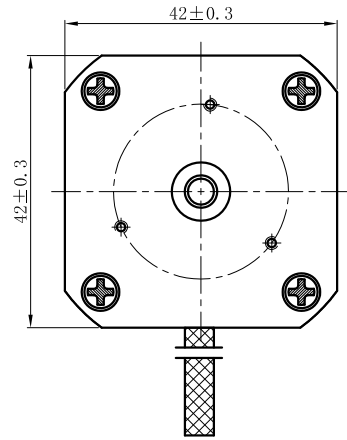
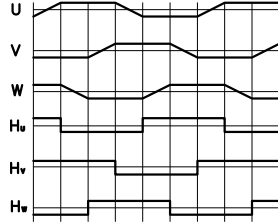


REV	ECN NO.	DESCRIPTION	DRN	APPD	DATE

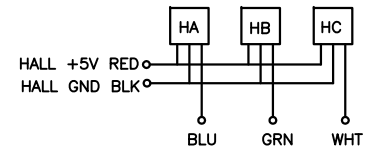


CCW COMMUTATION:
VIEWED FROM OUTPUT SHAFT

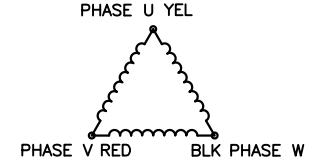


NUMBER OF PHASE		绕组相数	3	Wires for Phases UL1430 AWG20		
NUMBER OF POLES		极数	8	PHASE U	PHASE V	PHASE W
LINE TO LINE RESISANCE		线电阻	1.5 ± 10% ohms@20°C	YEL	RED	BLK
LINE TO LINE INDUCTANCE		线电感	2.1 ± 20% mH@1kHz	Wires for HALL UL1430 AWG26		
NOMINAL VOLTAGE		额定电压	24 VDC	HALL Vc	Hu	Hv
NO LOAD SPEED		空载转速	6500 ± 10% RPM	RED	BLU	GRN
NO LOAD CURRENT		空载电流	< 0.5 A	WHT	BLK	HALL Gnd
RATED TORQUE		额定转矩	0.0625 N.m	PERMISSIBLE RADIAL+AXIAL FORCE		
RATED SPEED		额定转速	4000 ± 10% RPM			
RATED CURRENT		额定电流	1.9 A			
PEAK TORQUE		峰值转矩	0.19 N.m			
PEAK CURRENT		峰值电流	5.7 A	<p>Fa = 10 N Max</p> <p>a = 10 mm</p>		
BACK EMF CONSTANT		反电势常数	2.45 ± 10% Vrms/kRPM	<p>Fr = 28 N Max</p> <p>0.02mm Max. @4N</p>		
TORQUE CONSTANT		转矩常数	0.033 N.m/A	<p>0.14mm Max. @4N</p>		
INSULATION CLASS		绝缘等级	B 130°C	AXIAL-FORCE 轴向压力		
DIELECTRIC STRENG		介电强度	600VAC 1SEC	DISTANCE 距离		
INSULATION RESIST		绝缘电阻	100M0hm @500VDC	RADIAL-FORCE 径向压力		
ROTOR INERTIA		转子转动惯量	24 g.cm ²	SHAFT RADIAL PLAY 径向间隙		
WEIGHT		重量	0.3 Kg	SHAFT AXIAL PLAY 轴向间隙		
OPERATION AMBIENT		使用环境	Ambient temperature:-20...+50° C, humidity Max. 85%(No condensation)			
STORAGE AMBIENT		存储环境	Ambient temperature:-20...+85° C, humidity Max. 85%(No condensation)			

HALL CONNECTING



THREE-PHASE CONNECTING



REV	ECN NO.	DESCRIPTION	DESIGN	DATE	P/N.
UNLESS OTHERWISE SPECIFIED		MATERIAL	CONTR	CHECK	TITLE
TOLERANCES					Specifications
DECIMALS:					USED ON
.x	±0.5				FL42BLS01
.xx	±0.25				DWG NO.
.xxx	±0.1				REV
UNIT: mm		FIRST ANGLE PROJECTION			A
DO NOT SCALE DRAWING		SCALE 1:1			FULLING MOTOR
		SHEET 1 OF 1			