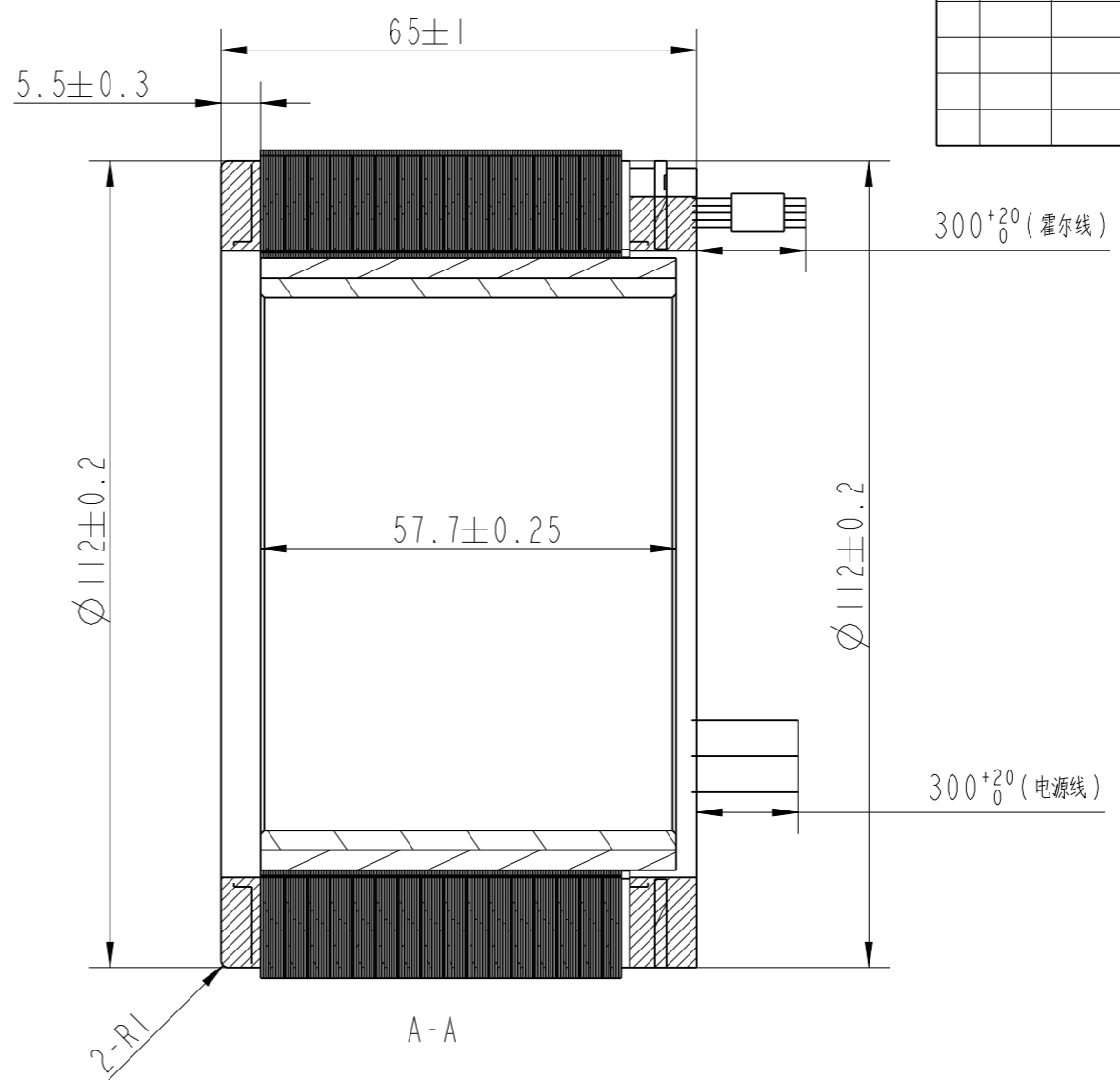
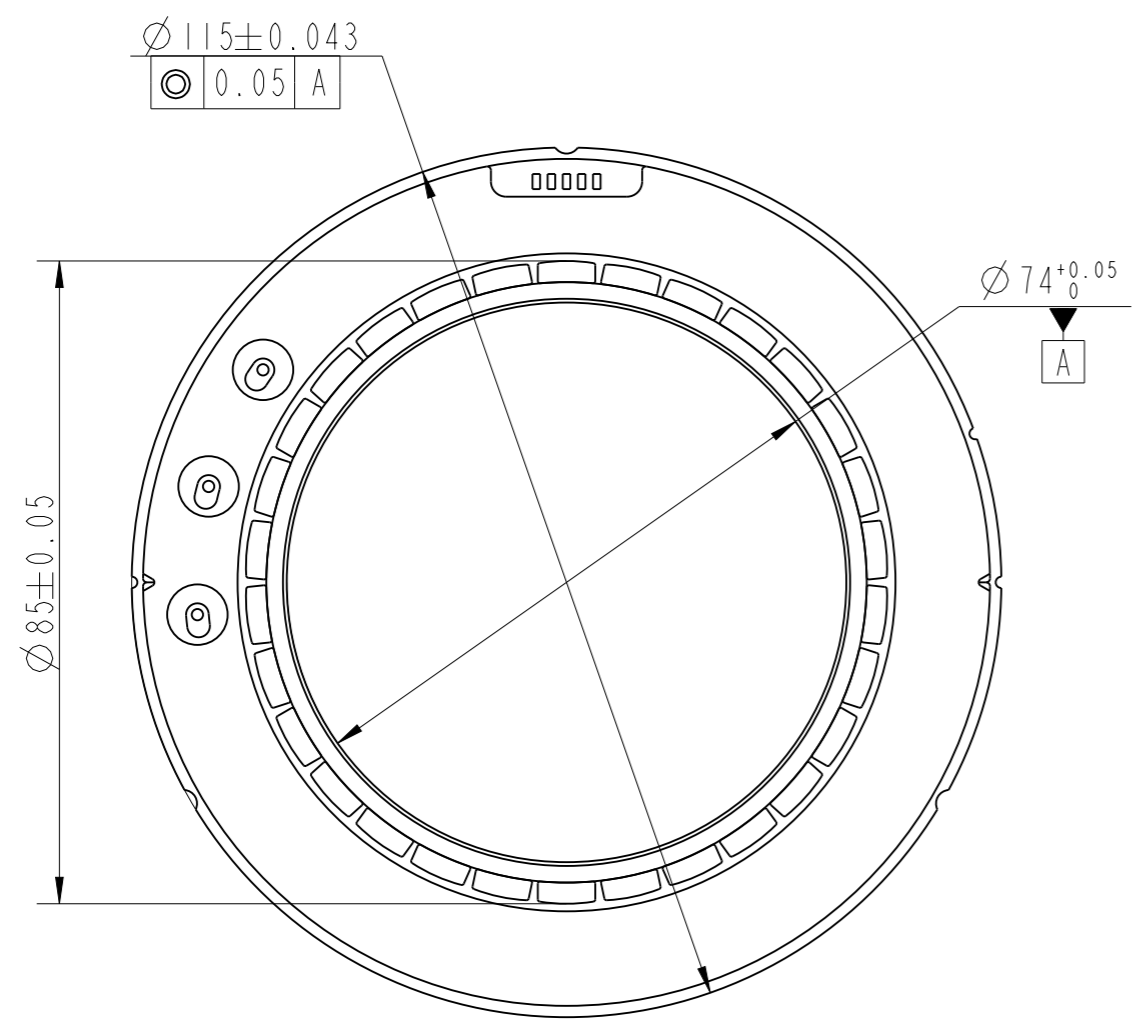
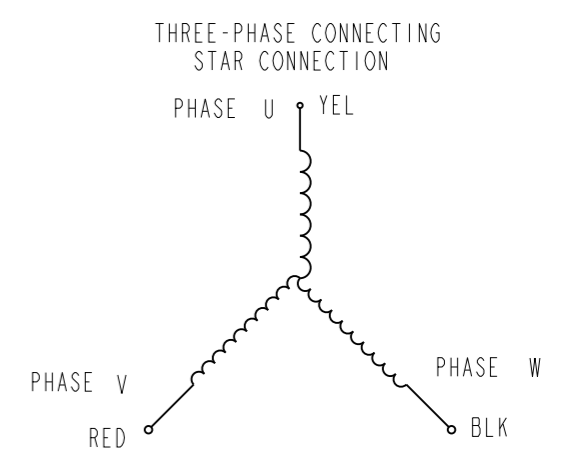
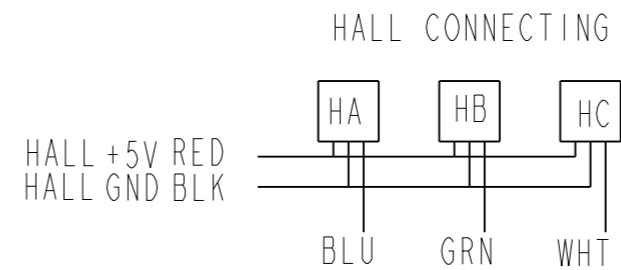


REV	ECN	NO	DESCRIPTION	DRN	APP'D	DATE



NUMBER OF PHASE	绕组相数	3	Wires for Phases UL1332 AWG18			
NUMBER OF POLES	极数	30	PHASE U	PHASE V	PHASE W	
LINE TO LINE RESISTANCE	线电阻	0.38±10% ohms@20°C	YEL	RED	BLK	
LINE TO LINE INDUCTANCE	线电感	0.48±20% mH@1kHz	Wires for Hall UL2464 AWG26			
NOMINAL VOLTAGE	额定电压	48 VDC	HALL Vc	Hu	Hv	Hw
NO LOAD SPEED	空载转速	850±10% RPM	RED	BLU	GRN	WHT
NO LOAD CURRENT	空载电流	1.4 A(ref)	HALL Gnd	BLK		
RATED TORQUE	额定转矩	9.51 N.m	PERMISSIBLE RADIAL+AXIAL FORCE			
RATED SPEED	额定转速	620 RPM				
RATED CURRENT	额定电流	15.1 A				
PEAK TORQUE	峰值转矩	31.4 N.m				
PEAK CURRENT	峰值电流	52 A				
BACK EMF CONSTANT	反电势常数	40 Vrms/kRPM				
TORQUE CONSTANT	转矩常数	662 mN.m/A				
INSULATION CLASS	绝缘等级	F 155°C				
DIELECTRIC STRENG	介电强度	1000VAC ISEC				
INSULATION RESIST	绝缘电阻	100MΩ @500VDC				
ROTOR INERTIA	转子转动惯量	9.1 kg.cm <sup>2</sup>	AXIAL-FORCE	轴向压力	Fa=/ N Max	
WEIGHT	重量	2.0 Kg	DISTANCE	距离	a=/ mm	
OPERATION AMBIENT	使用环境	Ambient temperature:-20...+50°C, humidity Max.85%(No condensation)	RADIAL-FORCE	径向压力	Fr=/ N Max	
STORAGE AMBIENT	存储环境	Ambient temperature:-20...+85°C, humidity Max.85%(No condensation)	SHAFT RADIAL PLAY	径向间隙	/mm Max.0.04N	
			SHAFT AXIAL PLAY	轴向间隙	/mm Max.0.04N	



A		DESIGN	DATE	P/N.	
REV	ECN NO.	DESCRIPTION		TITLE	115无框电机
UNLESS OTHERWISE SPECIFIED		MATERIAL	CONTR.	CHECK	
TOLERANCES:					USED ON
DECIMALS:					FL115BL50-48V-06620
.X	±0.5				DWG NO.
.XX	±0.25				REV
.XXX	±0.1				A
UNIT: mm		FIRST ANGLE PROJECTION	SCALE 1:2	FULLING MOTOR	
DO NOT SCALE DRAWING			SHEET 1 OF 1		