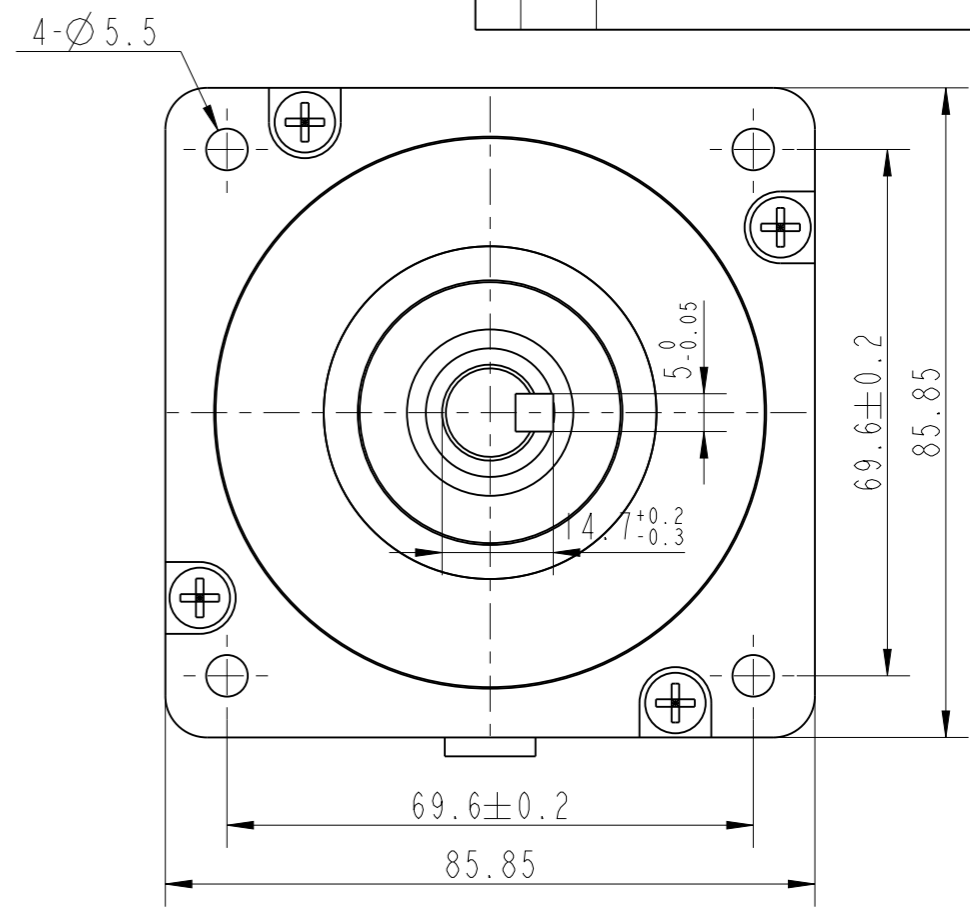
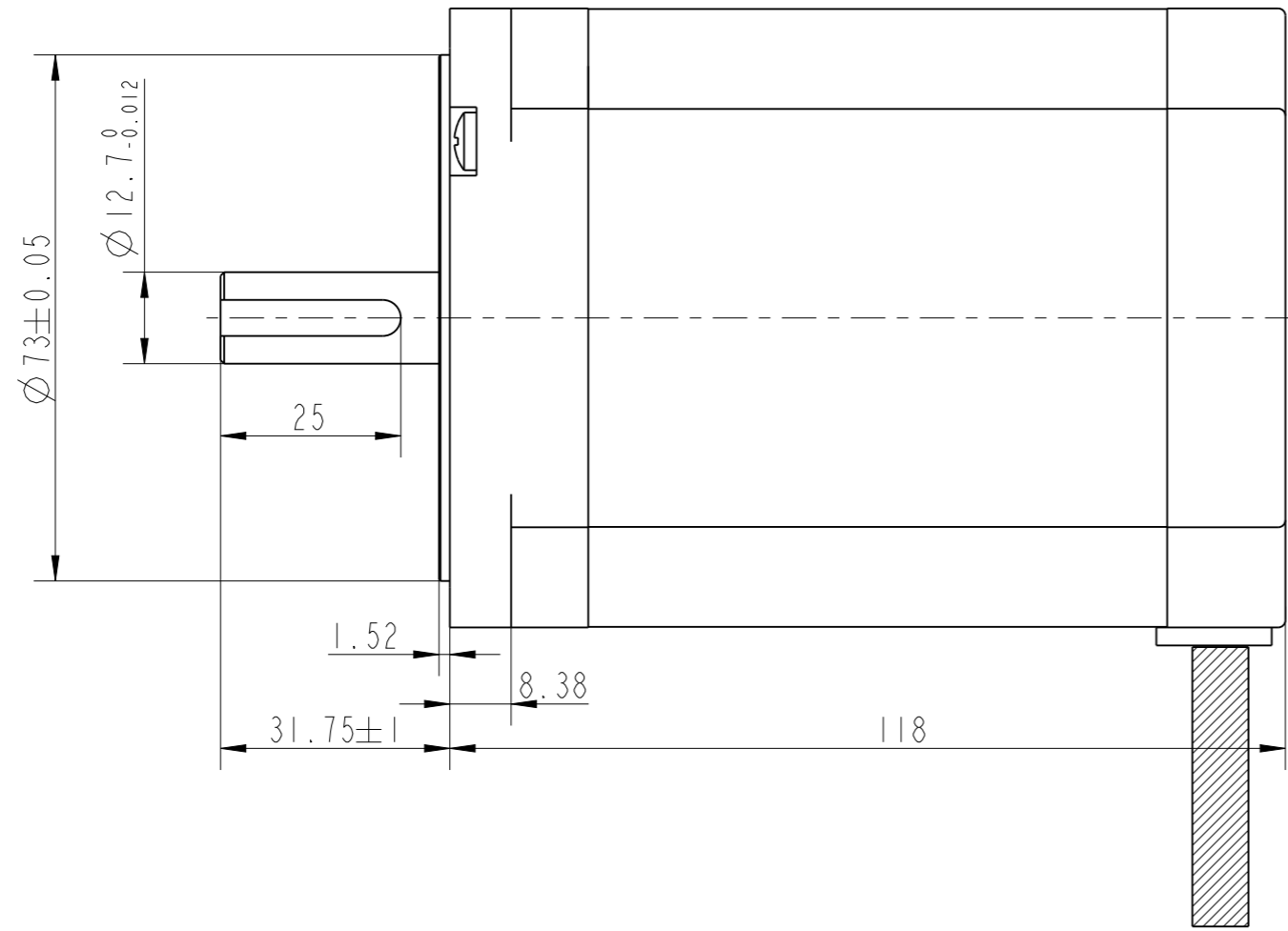
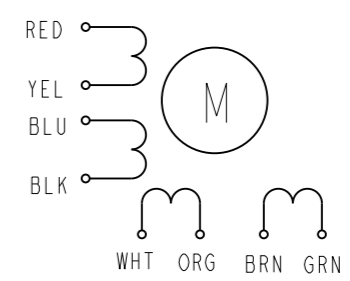


REV	ECN	NO	DESCRIPTION	DRN	APP'D	DATE



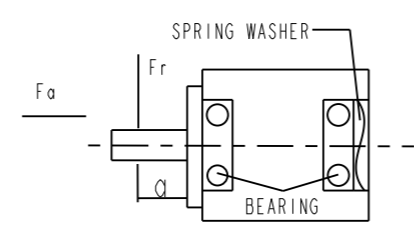
Wiring Diagram (接线图)



UL1430 20AWG LENGTH 400mm

STEP ANGLE	步距角	1.8°/full step(整步)
STEP ANGLE ACCURACY	步距角精度	±5%
NUMBER OF PHASE	绕组相数	4
RATED VOTAGE	额定电压	4.16VDC
RATED CURRENT	额定电流	4.2 A
RESISTANCE/PHASE	每相电阻	0.99±10% OHMS@20°C
INDUCTANCE/PHASE	每相电感	6±20% mH@1kHz
HOLDING TORQUE	保持转矩	6N.m
PULL OUT TORQUE	运行转矩	
BACK EMF	反电动势	
DETENT TORQUE	定位转矩	
ROTOR INERTIA	转子转动惯量	2700 g.cm ²
WEIGHT	重量	3.8K g

PERMISSIBLE RADIAL+AXIAL FORCE
(允许轴向和径向力)



TEMPERATURE RISE	温升	less than 80K(小F80开)	AXIAL-FORCE	轴向压力	Fa=60 N Max
SOURCE VOLTAGE	驱动器电压	VCD	DISTANCE	距离	a=20 mm
INSULATION CLASS	绝缘等级	B 130°C	RADIAL-FORCE	径向压力	Fr=220 N Max
DIELECTRIC STRENG	介电强度	750VAC 1MIN	SHAFT RADIAL PLAY	径向间隙	0.02mm Max.@4N
INSULATION RESIST	绝缘电阻	100MOhm @500VCD	SHAFT AXIAL PLAY	轴向间隙	0.08mm Max.@4N
IP CODE	防护等级	IP30			
OPERATION AMBIENT	使用环境	Ambient temperature:-20...+50°C, humidity Max.85%(No condensation)			
STORAGE AMBIENT	存储环境	Ambient temperature:-20...+85°C, humidity Max.85%(No condensation)			

A		DESIGN	DATE	P/N.	
REV	ECN NO.	DESCRIPTION		TITLE	Specification
UNLESS OTHERWISE SPECIFIED TOLERANCES:		MATERIAL	CONTR.	CHECK	USED ON
DECIMALS: .X ±0.5 .XX ±0.25 .XXX ±0.1				APPD	FL86STH118-4208A
ANGULAR: ±0°30'		FIRST ANGLE PROJECTION		SCALE 1:2	DWG NO.
UNIT: mm		DO NOT SCALE DRAWING		SHEET 1 OF 1	REV A
					FULLING MOTOR