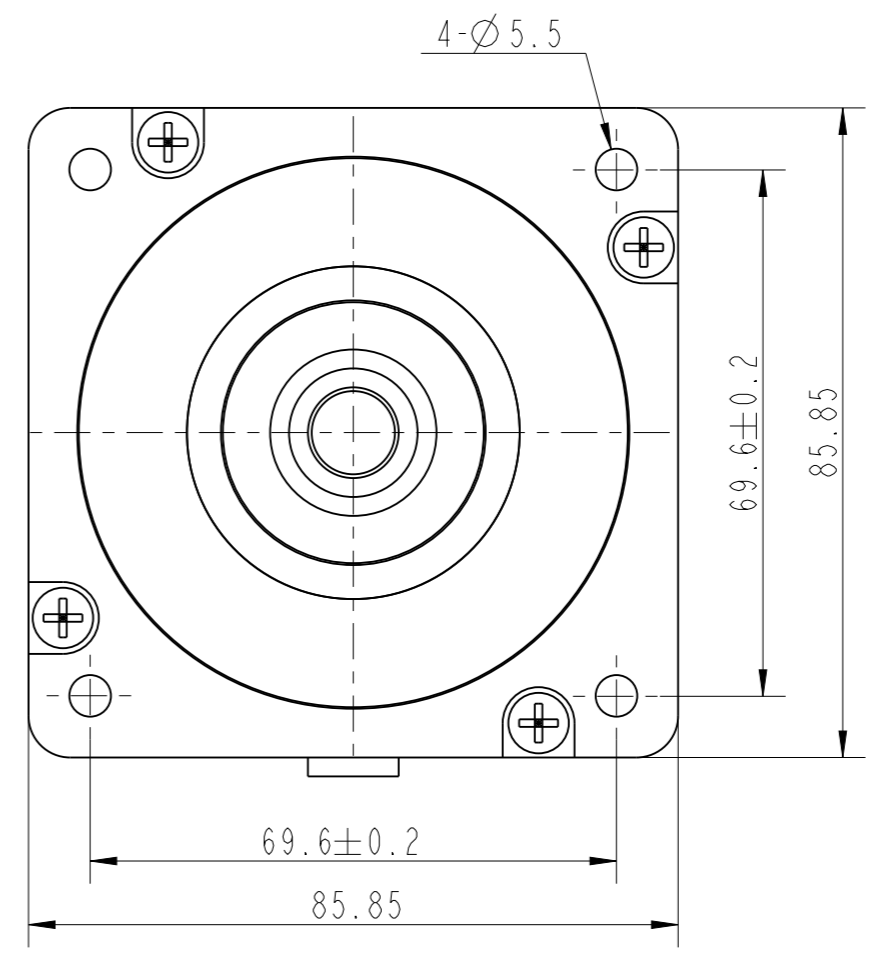
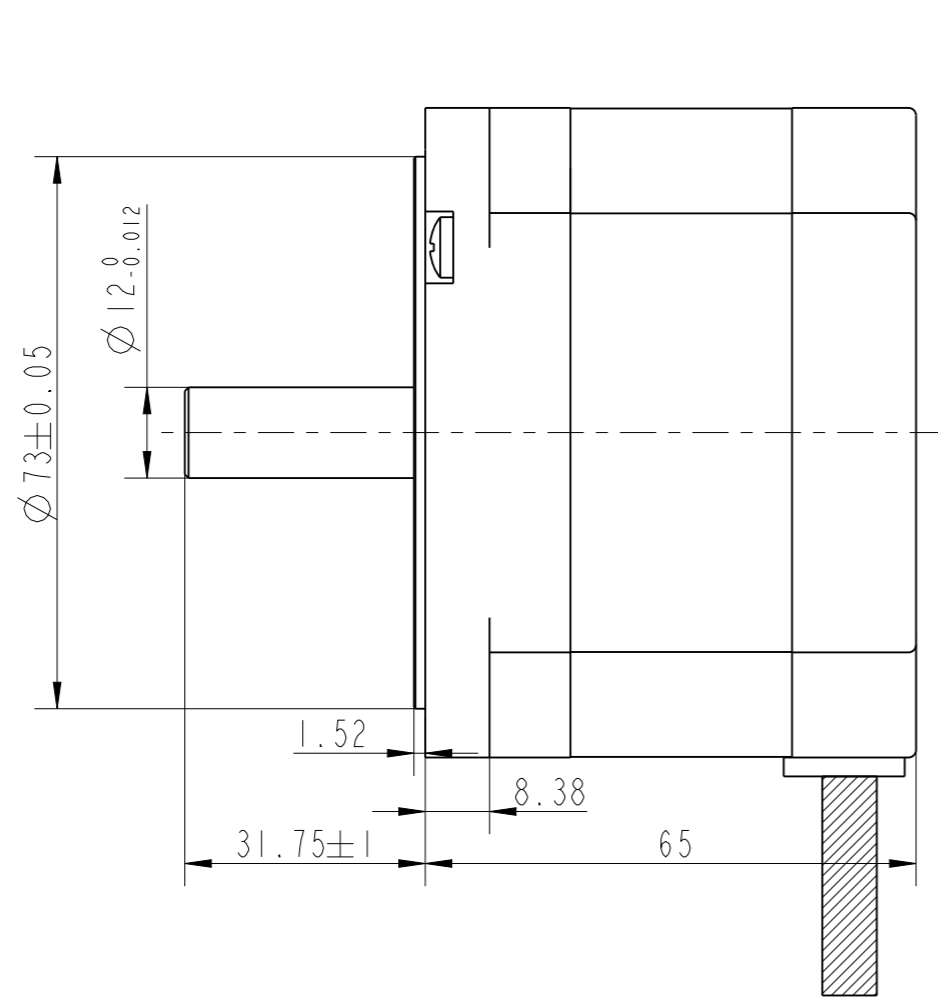


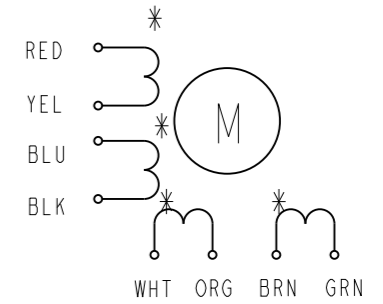
REV	ECN	NO	DESCRIPTION	DRN	APP'D	DATE



STEP ANGLE	步距角	1.8°/full step(整步)
STEP ANGLE ACCURACY	步距角精度	±5%
NUMBER OF PHASE	绕组相数	4
RATED VOTAGE	额定电压	3.64 VDC
RATED CURRENT	额定电流	2.8A
RESISTANCE/PHASE	每相电阻	1.3±10% OHMS@20°C
INDUCTANCE/PHASE	每相电感	3.9±20% mH@1kHz
HOLDING TORQUE	保持转矩	2.2 N.m
PULL OUT TORQUE	运行转矩	
BACK EMF	反电动势	
DETENT TORQUE	定位转矩	
ROTOR INERTIA	转子转动惯量	1000 g.cm ²
WEIGHT	重量	1.7Kg
TEMPERATURE RISE	温升	less than 80K(≠780开)
SOURCE VOLTAGE	驱动器电压	VCD
INSULATION CLASS	绝缘等级	B 130°C
DIELECTRIC STRENG	介电强度	500VAC 1MIN
INSULATION RESIST	绝缘电阻	100MOhm @500VDC
IP CODE	防护等级	IP30
OPERATION AMBIENT	使用环境	Ambient temperature:-20...+50°C, humidity Max.85%(No condensation)
STORAGE AMBIENT	存储环境	Ambient temperature:-20...+85°C, humidity Max.85%(No condensation)

PERMISSIBLE RADIAL+AXIAL FORCE (允许轴向和径向力)		
AXIAL-FORCE	轴向压力	Fa=60 N Max
DISTANCE	距离	a=20 mm
RADIAL-FORCE	径向压力	Fr=220 N Max
SHAFT RADIAL PLAY	径向间隙	0.02mm Max.@4N
SHAFT AXIAL PLAY	轴向间隙	0.08mm Max.@4N

Wiring Diagram (接线图)



红 黄 蓝 黑 白 橙 棕 绿 1430-AWG20 L=400±10mm

B		DESIGN	DATE	P/N.	
REV	ECN NO.	DESCRIPTION		TITLE	Specification
UNLESS OTHERWISE SPECIFIED		MATERIAL	CONTR.	CHECK	USED ON
TOLERANCES:				APPD	FL86STH65-2808A
DECIMALS:					DWG NO.
.X ±0.5					REV
.XX ±0.25					B
.XXX ±0.1					
UNIT: mm		FIRST ANGLE PROJECTION		SCALE	1:1
DO NOT SCALE DRAWING				SHEET	1 OF 1
				FULLING MOTOR	