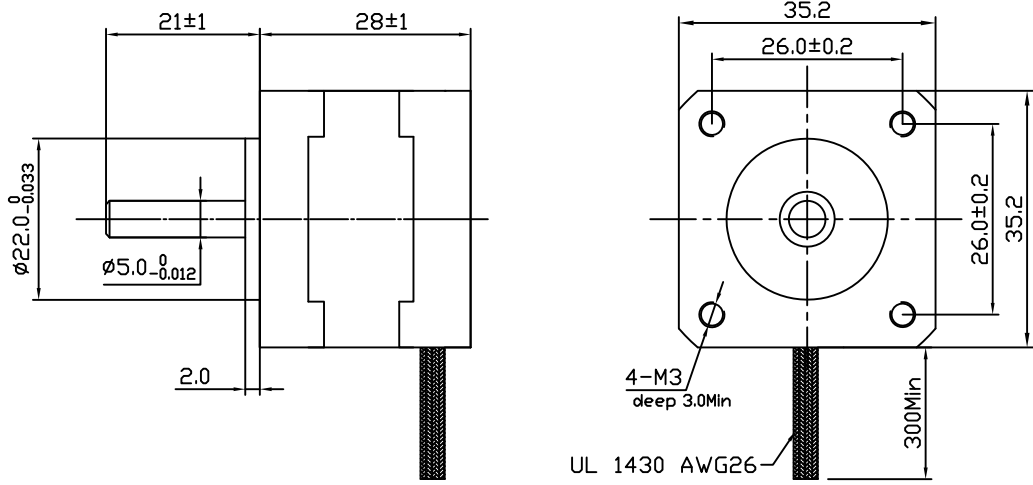
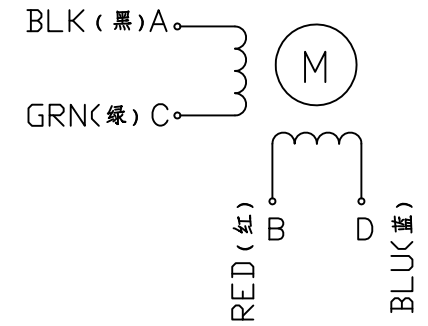


REV	ECN NO.	DESCRIPTION	DRN	APP'D	DATE



Wiring Diagram(接线图)



Exciting Sequence (励磁顺序)

CW DIRECTION	STEP	A	C	B	D
↓	1	+		+	
	2		+	+	
	3		+		+
	4	+			+
	1	+		+	

CW, see from flange side
(顺时针, 从法兰侧看)

SPECIFICATION

STEP ANGLE	步距角	1.8°/full step(整步)	PERMISSIBLE RADIAL+AXIAL FORCE (允许的轴向和径向力)	
STEP ANGLE ACCURACY	步距角精度	±5%		
NUMBER OF PHASE	绕组相数	2		
RATED VOLTAGE	额定电压	10 VDC	AXIAL-FORCE 轴向压力	Fa=10 N Max.
RATED CURRENT	额定电流	0.5 A	DISTANCE 距离	a=20 mm
RESISTANCE/PHASE	每相电阻	20±10% ohms@20°C	RADIAL-FORCE 径向压力	Fr=28 N Max.
INDUCTANCE/PHASE	每相电感	14±20% mH@1kHz	SHAFT RADIAL PLAY 径向间隙	0.02mm Max. @4N
HOLDING TORQUE	保持转矩	1000 g.cm	SHAFT AXIAL PLAY 轴向间隙	0.08mm Max. @4N
PULL OUT TORQUE	运行转矩	N.cm@ RPM	OPERATION AMBIENT 使用环境	Ambient temperature:-20...+50°C, humidity Max. 85%(No condensation)
BACK EMF	反电动势	V @300RPM	STORAGE AMBIENT 存储环境	Ambient temperature:-20...+85°C, humidity Max. 85%(No condensation)
DETENT TORQUE	定位转矩	N.cm		
ROTOR INERTIA	转子转动惯量	11 g.cm ²		
WEIGHT	重量	140 g		
TEMPERATURE RISE	温升	Less than 80K(小于80度)		
SOURCE VOLTAGE	驱动器电压	24 VDC		
INSULATION CLASS	绝缘等级	B 130°C		
DIELECTRIC STRENGTH	介电强度	500VAC 1MIN		
INSULATION RESISTANCE	绝缘电阻	100M0hm @500VDC		
IP CODE	防护等级	IP30		

PN号	名称	数量	单位	备注	PN号	名称	数量	单位	备注
	DESIGN				DATE	P/N:	3.1.01.035.***		
	CHECK					TITLE	Specifications		
	APPD					USED ON	FL35ST28-0504A		
						DWG NO.			REV A
UNLESS OTHERWISE SPECIFIED TOLERANCES					FIRST ANGLE PROJECTION				
DECIMALS: .x ±0.5 .xx ±0.25 .xxx ±0.1					SCALE NTS				
ANGULAR: ±0°30'					SHEET OF				
UNIT: mm					FULLING MOTOR				
DO NOT SCALE DRAWING									