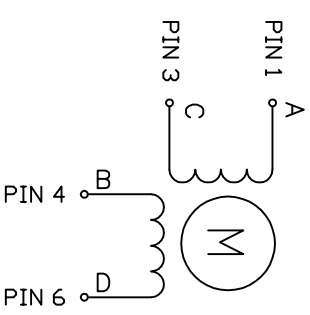


REV	ECN NO.	DESCRIPTION	DRN	APP'D	DATE

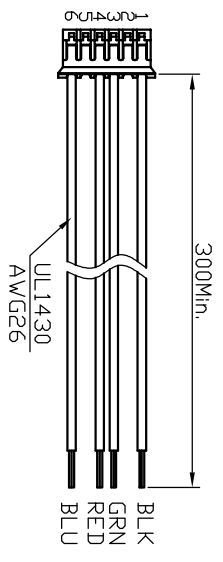
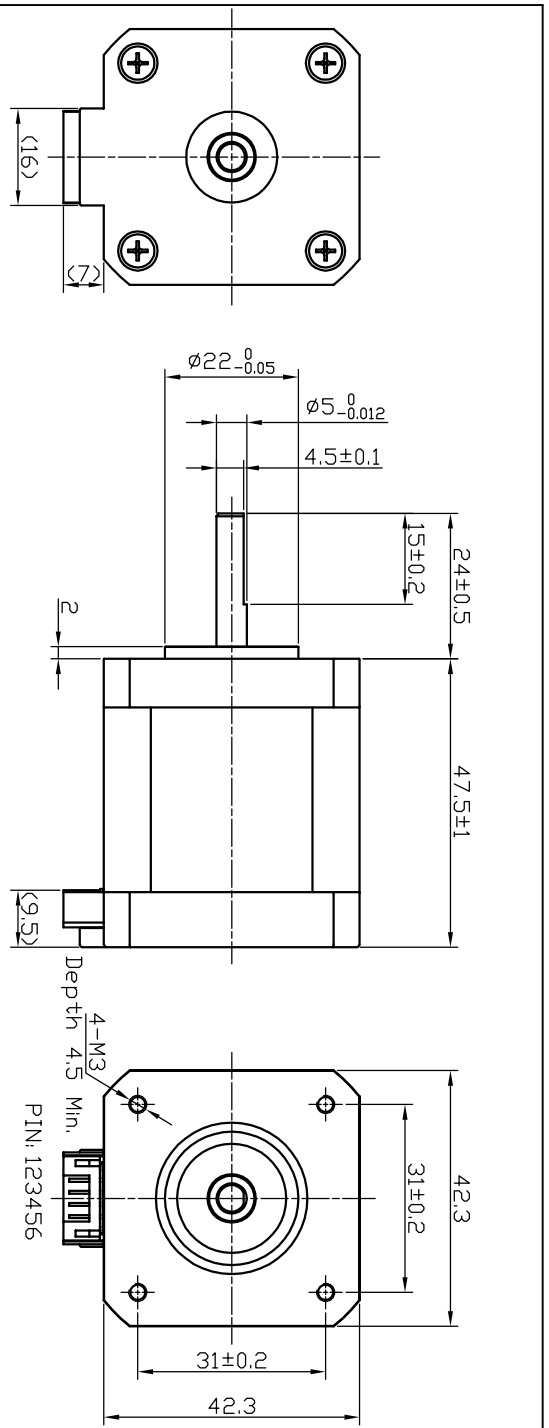
Wiring Diagram(接线图)



Exciting Sequence(励磁顺序)

CW DIRECTION	STEP	A	C	B	D
↑	1	+		+	
	2		+		+
	3			+	+
	4	+			+

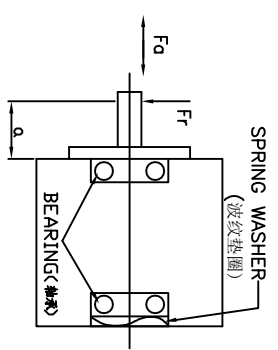
CW/see from flange side
(顺时针, 从法兰侧看)



SPECIFICATION

STEP ANGLE	步距角	1.8°/full step(步距)
STEP ANGLE ACCURACY	步距角精度	±5%
NUMBER OF PHASE	绕组相数	2
RATED VOLTAGE	额定电压	2.8 VDC
RATED CURRENT	额定电流	1.68 A
RESISTANCE/PHASE	每相电阻	1.65±10% ohms@20°C
INDUCTANCE/PHASE	每相电感	2.8±20% mH@1kHz
HOLDING TORQUE	保持转矩	4400 g.cm
PULL OUT TORQUE	运行转矩	
BACK EMF	反电动势	
DETENT TORQUE	定位转矩	
ROTOR INERTIA	转子转动惯量	68 g.cm ²
WEIGHT	重量	350 g
TEMPERATURE RISE	温升	Less than 80K (ΔT80K)
SOURCE VOLTAGE	驱动器电压	24 VDC
INSULATION CLASS	绝缘等级	B 130°C
DIELECTRIC STRENGTH	介电强度	500VAC 1MIN
INSULATION RESISTANCE	绝缘电阻	100MΩhm @500VDC
IP CODE	防护等级	IP30
OPERATION AMBIENT	使用环境	Ambient temperature:-20...+50°C,humidity Max. 85%(No condensation)
STORAGE AMBIENT	存储环境	Ambient temperature:-20...+85°C,humidity Max. 85%(No condensation)

PERMISSIBLE RADIAL+AXIAL FORCE
(允许轴向外力和轴向力)



UNLESS OTHERWISE SPECIFIED TOLERANCES:	ANGULAR	FIRST ANGLE PROJECTION	DESIGN	DATE	P/N
.XX ±0.5	±0.30°	FIRST ANGLE PROJECTION	YL	210923	3.101.042.***
.XXX ±0.1			CHECK		
DO NOT SCALE DRAWING			APP'D		USED ON FL425TD47-1684AF
			SCALE	NTS	DWG NO.
			SHEET	OF	REV A

Preliminary

PULLING MOTOR