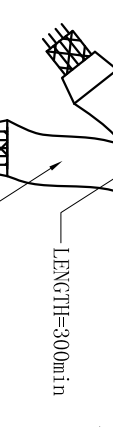
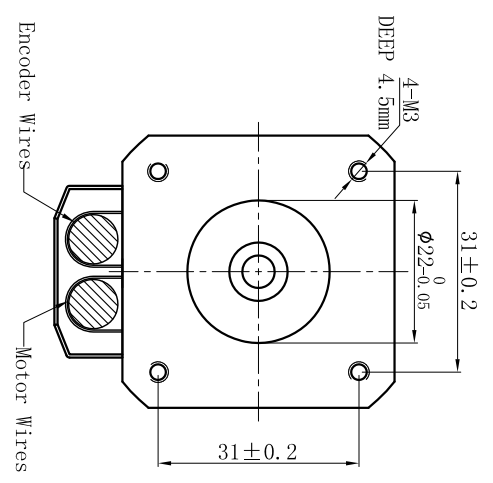
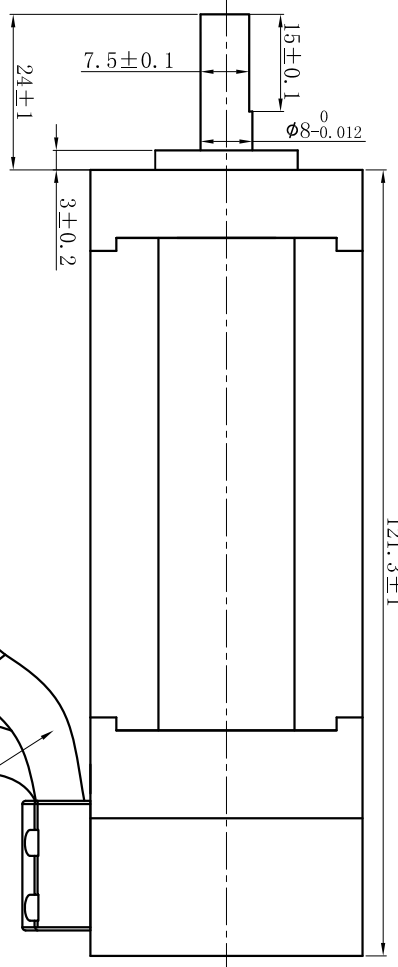
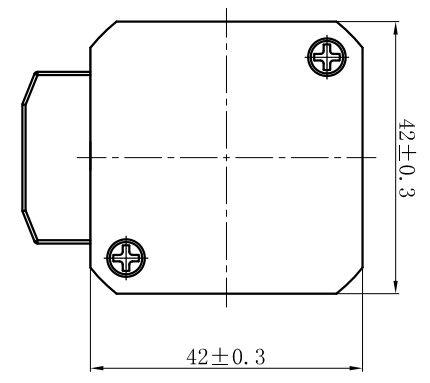
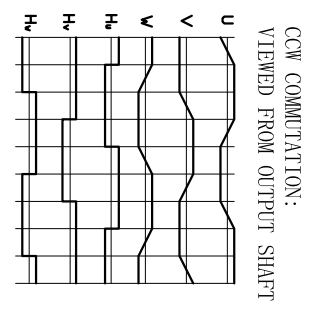


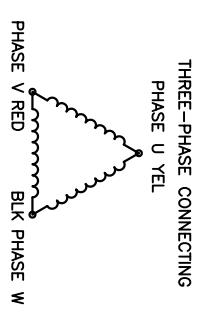
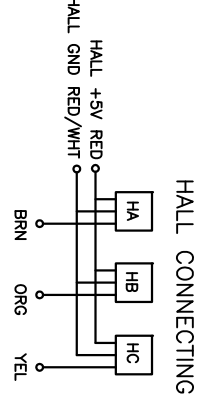
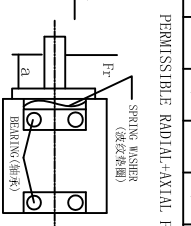
REV	EQ. NO.	DESCRIPTION	DRW.	APPD.	DATE



Encoder Wires  
Motor Wires



NUMBER OF PHASE	绕组相数	3	Wires for Phases AWG18								
NUMBER OF POLES	极数	8	PHASE U	PHASE V	PHASE W						
LINE TO LINE RESISTANCE	线电阻	0.25 ± 10% ohms@20°C	YEL	RED	BLK						
LINE TO LINE INDUCTANCE	线电感	0.38 ± 20% mH@1kHz	Wires for encoder AWG26								
NOMINAL VOLTAGE	额定电压	24 VDC	GND	EA-	EA+	EB-	EB+	HA	HB	HC	
NO LOAD SPEED	空载转速	7400 ± 10% RPM	RED/WHT	RED	BLU	BLU/BLK	BLK	BLK/WHT	BRN	ORG	YEL
NO LOAD CURRENT	空载电流	< 0.65 A	PERMISSIBLE RADIAL+AXIAL FORCE								
RATED TORQUE	额定转矩	0.25 N.m	SPRING WASHER (波紋彈簧)								
RATED SPEED	额定转速	5000 ± 10% RPM	FR (旋轉力矩)								
RATED CURRENT	额定电流	8 A	AXIAL FORCE (軸向壓力)								
PEAK TORQUE	峰值转矩	0.75 N.m	DISTANCE (距離)								
PEAK CURRENT	峰值电流	24 A	RADIAL FORCE (徑向壓力)								
BACK EMF CONSTANT	反电动势常数	2.28 ± 10% Vrms/kRPM	SHAFT RADIAL PLAY (軸向間隙)								
TORQUE CONSTANT	转矩常数	0.031 N.m/A	SHAFT AXIAL PLAY (軸向間隙)								
INSULATION CLASS	绝缘等级	B 130°C	AXIAL FORCE (軸向壓力)								
DIELECTRIC STRENG	介电强度	600VAC 1SRC	DISTANCE (距離)								
INSULATION RESIST	绝缘电阻	100MΩmm @500VDC	RADIAL FORCE (徑向壓力)								
ROTOR INERTIA	转子转动惯量	96 g.cm <sup>2</sup>	SHAFT RADIAL PLAY (軸向間隙)								
WEIGHT	重量	0.8 Kg	SHAFT AXIAL PLAY (軸向間隙)								
OPERATION AMBIENT	使用环境	Ambient temperature:-20...+50°C, humidity Max. 85% (No condensation)	OPERATION AMBIENT (使用环境)								
STORAGE AMBIENT	存储环境	Ambient temperature:-20...+85°C, humidity Max. 85% (No condensation)	STORAGE AMBIENT (存储环境)								



REV	EQ. NO.	DESCRIPTION	DATE	P./N.
TOLERANCES		ANGULAR:	CHECK	TITLE
.x	±0.5	±0° 30'		Specifications
.xx	±0.25		APPD	FL42SYA04
.xxx	±0.1		SCALE	REV
UNIT: mm			1:1	A
DO NOT SCALE DRAWING			SHEET	PULLING MOTOR
			1 OF 1	