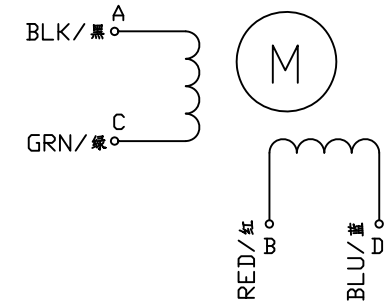


| REV | ECN NO. | DESCRIPTION | DRN | APP'D | DATE |
|-----|---------|-------------|-----|-------|------|
| | | | | | |
| | | | | | |
| | | | | | |

WIRING DIAGRAM/ 接线图



Exciting Sequence (励磁顺序)

| CW DIRECTION | STEP | A | C | B | D |
|--------------|------|---|---|---|---|
| ↓ | 1 | + | | + | |
| | 2 | | + | + | |
| | 3 | | + | | + |
| | 4 | + | | | + |
| | 1 | + | | + | |

CW, see from flange side
(顺时针, 从法兰侧看)

SPECIFICATION

| | | | |
|-----------------------|--------|---|---|
| STEP ANGLE | 步距角 | 1.8°/full step(整步) | PERMISSIBLE RADIAL+AXIAL FORCE (允许的轴向和径向力) |
| STEP ANGLE ACCURACY | 步距角精度 | ±5% | |
| NUMBER OF PHASE | 绕组相数 | 2 | |
| RATED VOLTAGE | 额定电压 | 2.0 VDC | |
| RATED CURRENT | 额定电流 | 2.8 A | |
| RESISTANCE/PHASE | 每相电阻 | 0.7±10% ohms@20°C | |
| INDUCTANCE/PHASE | 每相电感 | 1.4±20% mH@1kHz | |
| HOLDING TORQUE | 保持转矩 | 0.55 N.m | |
| PULL OUT TORQUE | 运行转矩 | N/A | |
| BACK EMF | 反电动势 | V @300RPM | |
| DETENT TORQUE | 定位转矩 | N.cm | |
| ROTOR INERTIA | 转子转动惯量 | 120 g.cm ² | |
| WEIGHT | 重量 | 0.45 Kg | |
| TEMPERATURE RISE | 温升 | Less than 80K (<4780华) | AXIAL-FORCE 轴向压力 |
| SOURCE VOLTAGE | 驱动器电压 | N/A | Fr=15 N Max. |
| INSULATION CLASS | 绝缘等级 | B 130°C | DISTANCE 距离 |
| DIELECTRIC STRENGTH | 介电强度 | 600VAC 1MIN | a=20 mm |
| INSULATION RESISTANCE | 绝缘电阻 | 100M0hm @500VDC | RADIAL-FORCE 径向压力 |
| IP CODE | 防护等级 | N/A | Fr=75 N Max. |
| OPERATION AMBIENT | 使用环境 | Ambient temperature:-20...+50°C, humidity Max. 85%(No condensation) | SHAFT RADIAL PLAY 径向间隙 |
| STORAGE AMBIENT | 存储环境 | Ambient temperature:-10...+35°C, humidity Max. 85%(No condensation) | 0.02mm Max. @4N |
| | | | SHAFT AXIAL PLAY 轴向间隙 |
| | | | 0.08mm Max. @4N |

| REV | ECN NO. | DESCRIPTION | DRN | APP'D | DATE | DESIGN | DATE | P/N. | 3.1.01.057.xxxx |
|---------------------------------------|---------|-------------|-----|-------|------|------------------------|-----------|---------------|-----------------|
| | | | | | | | | TITLE | Specifications |
| UNLESS OTHERWISE SPECIFIED TOLERANCES | | | | | | MATERIAL | CONTR. | USED ON | FL57STH41-2804A |
| DECIMALS: .x ±0.5 | | | | | | | | DWG NO. | |
| ANGULAR: .xx ±0.25 ±0°30' | | | | | | | | | REV |
| .xxx ±0.1 | | | | | | FIRST ANGLE PROJECTION | SCALE 1:1 | | A |
| UNIT: mm | | | | | | | | FULLING MOTOR | |
| DO NOT SCALE DRAWING | | | | | | | SHEET OF | | |